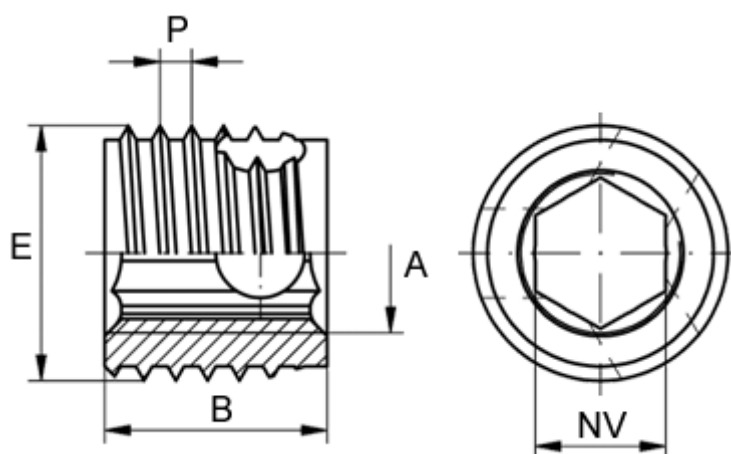


Article number: 12308200040110

Description: KLEE-coil 308 200 040.110

M4 Hardened/zinc-plated steel with hexagon

## Measures



Female thread A	= M4
Length B	= 8
Male thread E	= 6.5
Min hole depth blind hole	= 10
Min material thickness	= 8
sw	= -
Thread pitch P	= 0.8
Type	= 308 200 040 ...